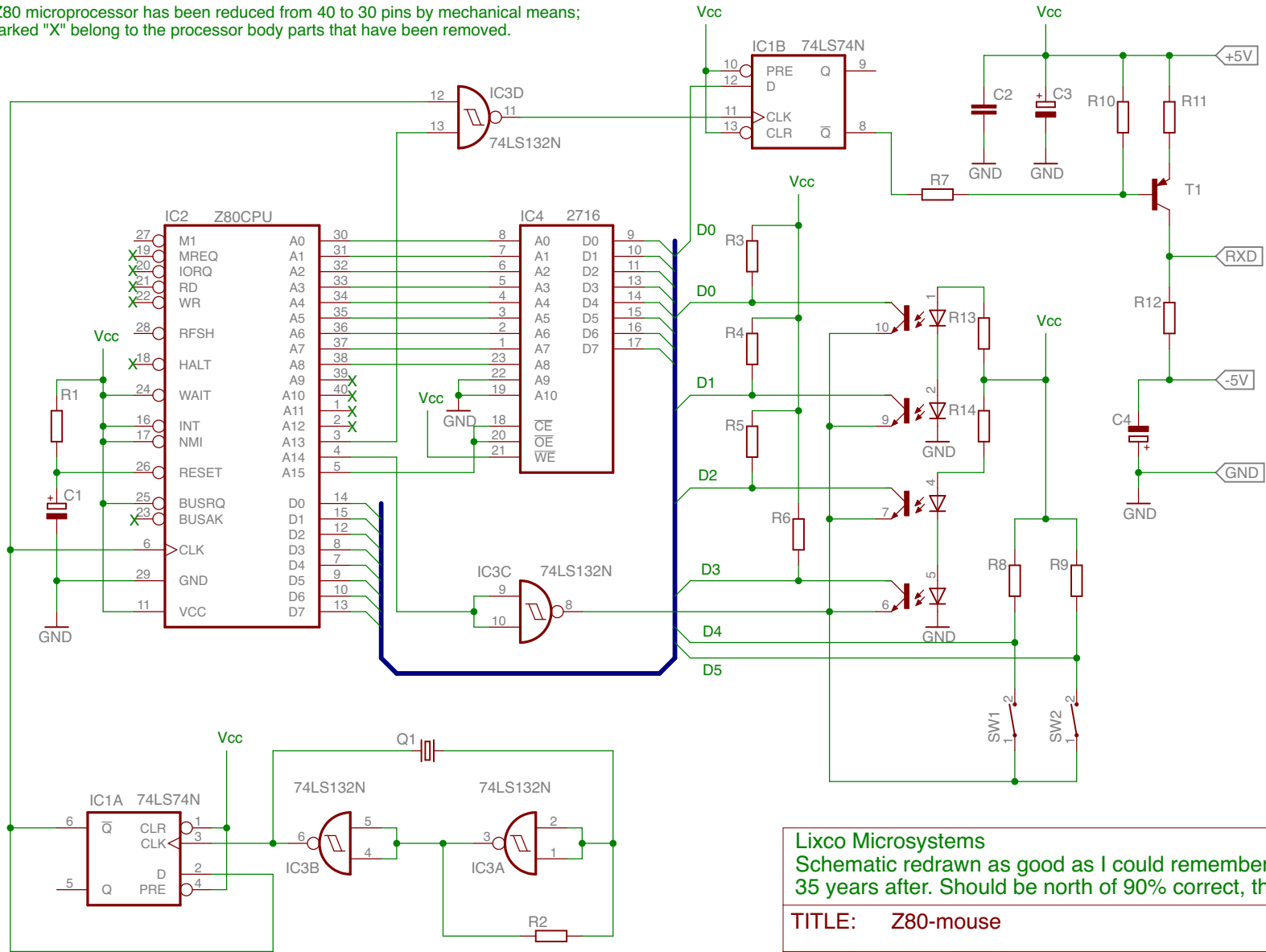


Note: The Z80 microprocessor has been reduced from 40 to 30 pins by mechanical means;
The pins marked "X" belong to the processor body parts that have been removed.



Lixco Microsystems
Schematic redrawn as good as I could remember more than
35 years after. Should be north of 90% correct, though (LNP).

TITLE: Z80-mouse

Document Number: _____ REV: _____

Date: 22.02.24 14:42 Sheet: 1/1